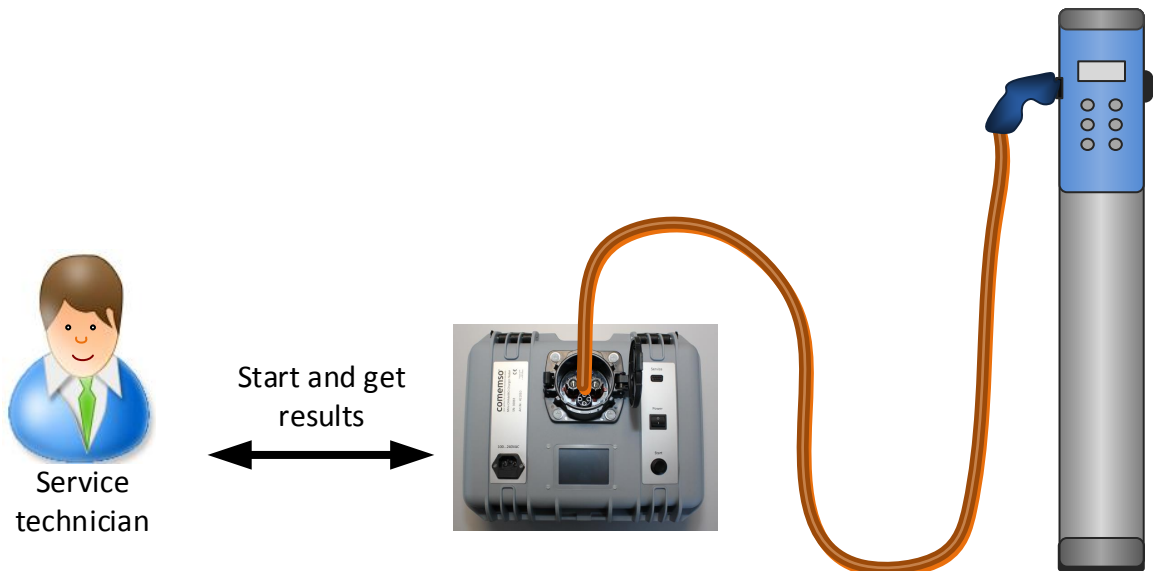


Mini-CHAdEMO-Charger-Tester

Tester for charging tests with pass/fail results. Test of Charger after production or maintenance.



Please contact for more information:

comemso GmbH
Anita.Athanasas@comemso.de or sales@comemso.de
Phone +49 7158 984 11-81 / Mobile +49 15785001181
www.comemso.com

comemso[®]
your partner for complex embedded solutions

Mini-CHAdeMO-Charger-Tester

Features



Test of EVSE / Charger in field application

Simple and quick test, no knowledge of standard required

Full automatic:

- ▶ EV-Simulation on communication to get charger charging
- ▶ EV-Simulation on DC load circuit, which fits to communication

Output of measured DC Voltage and DC Current

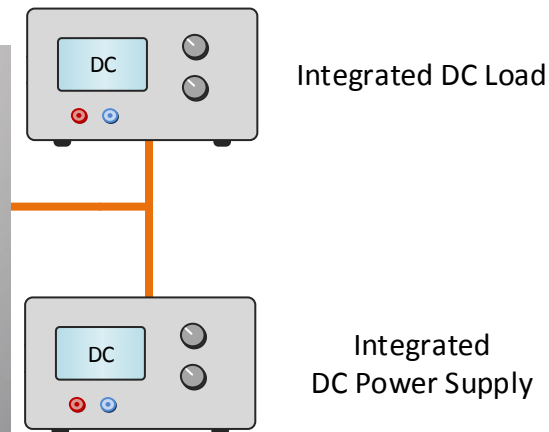
Output of communication progress

Output of test result (Pass / Fail) depending on charging possibility

Charger-Tester also available for CCS

comemso Mini-CHAdeMO-Charger-Tester

Simulation of EV Communication



Comemso meets new challenges with aftersales application

Developments and aftersales services for e-mobility present new challenges for vehicle- and charging-system manufacturers. The number of chargers in the field increases and therefore also the efforts in the service applications. After each service of chargers there is a final test required, if the charger is still proper working to ensure that nothing has been forgotten at the service work. To test this there is either a real EV required or a small mobile automatic tester such as the comemso Mini-CHAdeMO-Charger-Tester. The benefit of a small mobile tester even increases on a service for multi-charger-systems, where CCS and CHAdeMO have to be tested at the same service activity. The Mini-CHAdeMO-Charger-Tester can be used at the service application, maintenance and at the production as a simple end-of-line test.

Technical Data

Input Power:	100..240V AC
Weight:	ca. 6 kg
Size (W x D x H):	36 x 30 x 23 cm

CHAdeMO versions:	0.91, 1.0.x, 1.1
User Interface:	Start button, Graphical Display
Required PC interface:	no PC required

Please contact for more information:

comemso GmbH
Anita.Athanasas@comemso.de or sales@comemso.de
Phone +49 7158 984 11-81 / Mobile +49 15785001181
www.comemso.com

comemso[®]
your partner for complex embedded solutions